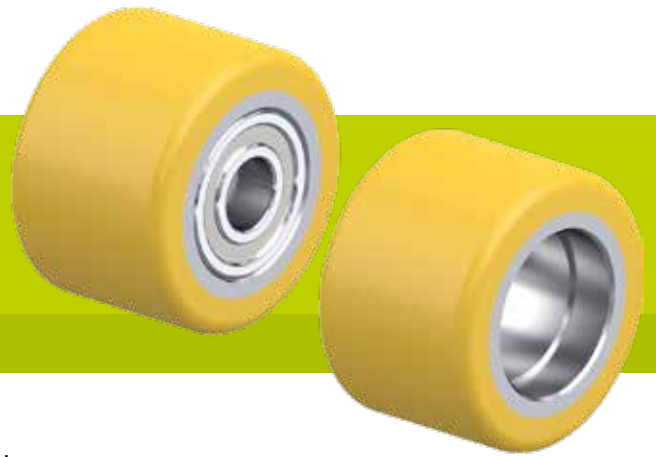


HTH series, dimensions 60x35-82x65 mm

Rollers for pallet trucks with Blickle Extrathane® polyurethane tread, with metal wheel centre



220–850 kg

Tread and tyre hardness
 92 Shore A

Smooth operation / floor preservation
 good

Rolling resistance
 very good

Wear resistance
 excellent

- Tread:**
- high-quality polyurethane elastomer Blickle Extrathane®, hardness 92 Shore A
 - low rolling resistance
 - high abrasion resistance
 - high cut and tear propagation resistance
 - colour light brown, non-marking, non-staining
 - excellent chemical connection with the wheel centre

- Wheel centre:**
- metal

- Other features:**
- high chemical resistance to many aggressive substances
 - operating temperature: -20 °C to +70 °C, temporarily up to +90 °C, reduced load capacity over +40 °C

- Additional details:**
- wheel series: page 78
 - tread: page 55
 - bearing types: page 84–85
 - chemical resistance: page 51

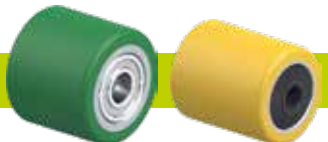


Rollers for pallet trucks with ball bearing	Wheel Ø (D) [mm]	Wheel width (T2) [mm]	Axle bore Ø (d) [mm]	Clamping length (T5) [mm]	ball bearing	Rollers for pallet trucks without ball bearing	Bearing seating Ø (S) [mm]	Bearing seating depth (t) [mm]	Load capacity [kg]
HTH 60x35/15-35K	60	35	15	35	6002 ZZ	RK-HTH 060x035/32x09-35-Z	32	9	220
HTH 60x60/10-56K	60	60	10	56	6200 2RS	RK-HTH 060x060/30x11-60-Z	30	11	400
HTH 75x40/20-40K	75	40	20	40	6204 ZZ	RK-HTH 075x040/47x14-40-Z	47	14	340
HTH 75x62/20-62K	75	62	20	62	6204 ZZ	RK-HTH 075x062/47x14-62-Z	47	14	510
HTH 75x75/20-75K	75	75	20	75	6204 ZZ	RK-HTH 075x075/47x14-75-Z	47	14	630
HTH 75x95/20-95K	75	95	20	95	6204 ZZ	RK-HTH 075x095/47x14-95-Z	47	14	800
HTH 80x30/12-27K	80	30	12	27	6201 ZZ	RK-HTH 080x030/32x12-30-Z	32	12	260
HTH 80x40/20-40K	80	40	20	40	6204 ZZ	RK-HTH 080x040/47x14-40-Z	47	14	350
HTH 80x54/20-54K	80	54	20	54	6204 ZZ	RK-HTH 080x054/47x14-54-Z	47	14	480
HTH 80x54/20-60K	80	54	20	60	6204 ZZV	RK-HTH 080x054/47x14-54-Z	47	14	480
HTH 80x56/20-56K	80	56	20	56	6204 ZZ	RK-HTH 080x056/47x14-56-Z	47	14	500
HTH 80x60/20-66K	80	60	20	66	6204 ZZV	RK-HTH 080x060/47x12-60-Z	47	12	530
HTH 80x62/20-54K	80	62	20	54	6204 ZZ	RK-HTH 080x062/47x18-62-Z	47	18	550
HTH 80x70/20-70K	80	70	20	70	6204 ZZ	RK-HTH 080x070/47x14-70-Z	47	14	630
HTH 80x74/20-68K	80	74	20	68	6004 ZZ	RK-HTH 080x074/42x14-72-Z *	42	14	660
HTH 80x80/20-80K	80	80	20	80	6204 ZZ	RK-HTH 080x080/47x14-80-Z	47	14	720
HTH 80x95/20-89K	80	95	20	89	6004 ZZ	RK-HTH 080x095/42x14-93-Z *	42	14	850
HTH 82x28/12-26K	82	28	12	26	6201 ZZ	RK-HTH 082x028/32x11-28-Z	32	11	250
HTH 82x34/12-32K	82	34	12	32	6201 ZZ	RK-HTH 082x034/32x11-34-Z	32	11	310
HTH 82x50/20-52K	82	50	20	52	6204 ZZ	RK-HTH 082x050/47x13-50-Z	47	13	450
HTH 82x60/20-56K	82	60	20	56	6204 ZZ	RK-HTH 082x060/47x16-60-Z	47	16	550
HTH 82x60/20-60K	82	60	20	60	6204 ZZ	RK-HTH 082x060/47x14-60-Z	47	14	550
HTH 82x60/25-52K	82	60	25	52	6205 ZZ	RK-HTH 082x060/52x19-60-Z	52	19	550
HTH 82x60/25-60K	82	60	25	60	6005 ZZ	RK-HTH 082x060/47x14-60-Z	47	14	550
HTH 82x62/20-64K	82	62	20	64	6204 ZZ	RK-HTH 082x062/47x13-62-Z	47	13	560
HTH 82x65/20-65K	82	65	20	65	6204 ZZ	RK-HTH 082x065/47x14-65-Z	47	14	590
HTH 82x65/20-71K	82	65	20	71	6204 ZZV	RK-HTH 082x065/47x14-65-Z	47	14	590

* Hub recessed

For other dimensions, please refer to the next page

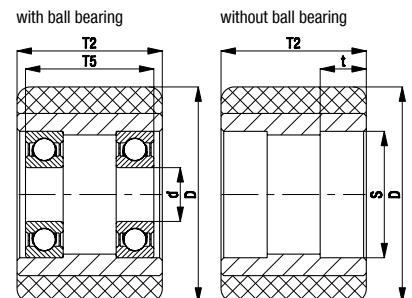
Versions / options



with Blickle Softhane® polyurethane tread splash and washproof version

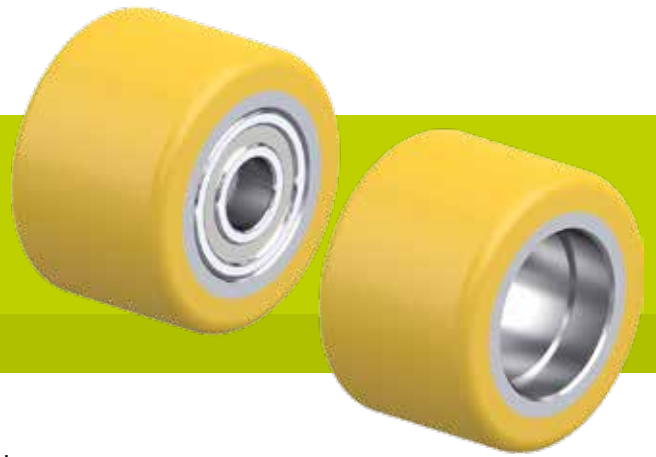
Technical description page	55	79
Product code suffix	HST series	HTHW series
Available for	upon request**	see page 564–565

** Hardness 75 Shore A



HTH series, dimensions 82x70-85x75 mm

Rollers for pallet trucks with Blickle Extrathane® polyurethane tread, with metal wheel centre



460–1,070 kg

Tread and tyre hardness

92 Shore A

Smooth operation / floor preservation

good

Rolling resistance

very good

Wear resistance

excellent

Tread:

- high-quality polyurethane elastomer Blickle Extrathane®, hardness 92 Shore A
- low rolling resistance
- high abrasion resistance
- high cut and tear propagation resistance
- colour light brown, non-marking, non-staining
- excellent chemical connection with the wheel centre

Wheel centre:

- metal

Other features:

- high chemical resistance to many aggressive substances
- operating temperature: -20 °C to +70 °C, temporarily up to +90 °C, reduced load capacity over +40 °C

Additional details:

- wheel series: page 78
- tread: page 55
- bearing types: page 84–85
- chemical resistance: page 51

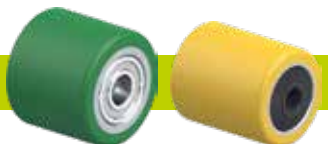


Rollers for pallet trucks with ball bearing	Wheel Ø (D) [mm]	Wheel width (T2) [mm]	Axle bore Ø (d) [mm]	Clamping length (T5) [mm]	ball bearing	Rollers for pallet trucks without ball bearing	Bearing seating Ø (S) [mm]	Bearing seating depth (t) [mm]	Load capacity [kg]
HTH 82x70/20-62K	82	70	20	62	6204 ZZ	RK-HTH 082x070/47x18-70-Z	47	18	640
HTH 82x70/20-70K	82	70	20	70	6204 ZZ	RK-HTH 082x070/47x14-70-Z	47	14	640
HTH 82x70/20-72K	82	70	20	72	6204 ZZV	RK-HTH 082x070/47x14-70-Z	47	14	640
HTH 82x70/20-76K	82	70	20	76	6204 ZZV	RK-HTH 082x070/47x12-70-Z	47	12	640
HTH 82x72/20-72K	82	72	20	72	6204 ZZ	RK-HTH 082x072/47x14-72-Z	47	14	660
HTH 82x72/20-74K	82	72	20	74	6204 ZZV	RK-HTH 082x072/47x14-72-Z	47	14	660
HTH 82x72/20-78K	82	72	20	78	6204 ZZV	RK-HTH 082x072/47x14-72-Z	47	14	660
HTH 82x80/20-80K	82	80	20	80	6204 ZZ	RK-HTH 082x080/47x14-80-Z	47	14	730
HTH 82x82/20-86K	82	82	20	86	6204 ZZV	RK-HTH 082x082/47x13-82-Z	47	13	750
HTH 82x89/20-82K	82	89	20	82	6204 ZZ	RK-HTH 082x089/47x18-89-Z	47	17.5	820
HTH 82x90/20-90K	82	90	20	90	6204 ZZ	RK-HTH 082x090/47x14-90-Z	47	14	830
HTH 82x90/20-96K	82	90	20	96	6204 ZZV	RK-HTH 082x090/47x14-90-Z	47	14	830
HTH 82x98/20-98K	82	98	20	98	6204 ZZ	RK-HTH 082x098/47x14-98-Z	47	14	910
HTH 82x100/20-96K	82	100	20	96	6204 ZZ	RK-HTH 082x100/47x16-100-Z	47	16	920
HTH 82x100/20-100K	82	100	20	100	6204 ZZ	RK-HTH 082x100/47x14-100-Z	47	14	920
HTH 82x100/20-104K	82	100	20	104	6204 ZZV	RK-HTH 082x100/47x14-100-Z	47	14	920
HTH 83x83/25-83K	83	83	25	83	6205 ZZ	RK-HTH 083x083/52x15-83-Z	52	15	780
HTH 83x115/30-114K	83	115	30	114	6206 ZZ	RK-HTH 083x115/62x17-115-Z	62	16.5	1,070
HTH 84x74/17-78K *	84	74	17	78	6006 2RS	RK-HTH 084x074/55x23-74-Z	55	23	690
HTH 85x50/20-50K	85	50	20	50	6204 ZZ	RK-HTH 085x050/47x14-50-Z	47	14	460
HTH 85x50/25-50K	85	50	25	50	6005 ZZ	RK-HTH 085x050/47x14-50-Z	47	14	460
HTH 85x60/17-60K	85	60	17	60	6303 ZZ	RK-HTH 085x060/47x14-60-Z	47	14	560
HTH 85x60/20-60K	85	60	20	60	6204 ZZ	RK-HTH 085x060/47x14-60-Z	47	14	560
HTH 85x60/20-65K	85	60	20	65	6204 ZZV	RK-HTH 085x060/47x14-60-Z	47	14	560
HTH 85x65/20-65K	85	65	20	65	6204 ZZ	RK-HTH 085x065/47x14-65-Z	47	14	610
HTH 85x70/17-70K	85	70	17	70	6303 ZZ	RK-HTH 085x070/47x14-70-Z	47	14	660
HTH 85x70/20-70K	85	70	20	70	6204 ZZ	RK-HTH 085x070/47x14-70-Z	47	14	660
HTH 85x70/20-75K	85	70	20	75	6204 ZZV	RK-HTH 085x070/47x14-70-Z	47	14	660
HTH 85x75/17-75K	85	75	17	75	6303 ZZ	RK-HTH 085x075/47x14-75-Z	47	14	720
HTH 85x75/20-75K	85	75	20	75	6204 ZZ	RK-HTH 085x075/47x14-75-Z	47	14	720
HTH 85x75/25-75K	85	75	25	75	6005 ZZ	RK-HTH 085x075/47x14-75-Z	47	14	720

* With nylon socket

For other dimensions, please refer to the next page

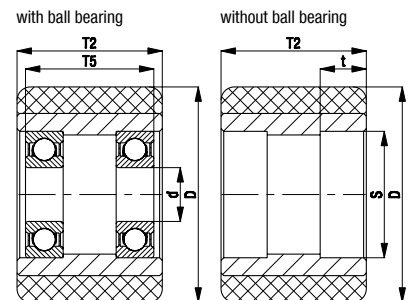
Versions / options



with Blickle Softhane® polyurethane tread splash and washproof version

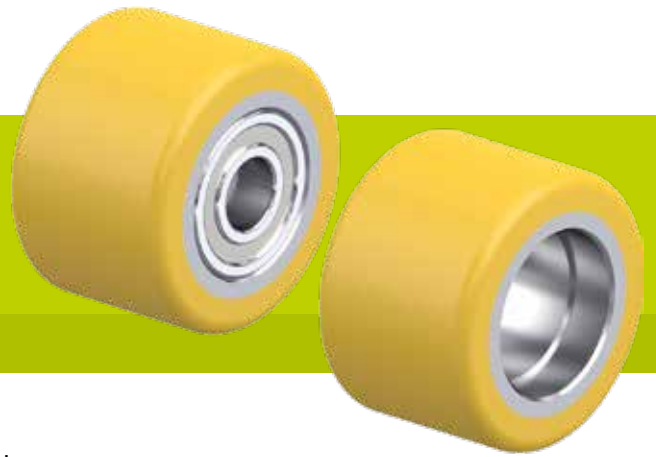
Technical description page	55	79
Product code suffix	HST series	HTHW series
Available for	upon request**	see page 564–565

** Hardness 75 Shore A



HTH series, dimensions 85x75-90x50 mm

Rollers for pallet trucks with Blickle Extrathane® polyurethane tread, with metal wheel centre



420–1,130 kg

Tread and tyre hardness

92 Shore A

Smooth operation / floor preservation

good

Rolling resistance

very good

Wear resistance

excellent

Tread:

- high-quality polyurethane elastomer Blickle Extrathane®, hardness 92 Shore A
- low rolling resistance
- high abrasion resistance
- high cut and tear propagation resistance
- colour light brown, non-marking, non-staining
- excellent chemical connection with the wheel centre

Wheel centre:

- metal

Other features:

- high chemical resistance to many aggressive substances
- operating temperature: -20 °C to +70 °C, temporarily up to +90 °C, reduced load capacity over +40 °C

Additional details:

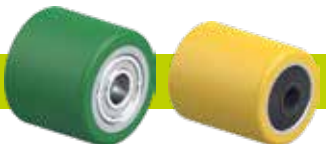
- wheel series: page 78
- tread: page 55
- bearing types: page 84–85
- chemical resistance: page 51



Rollers for pallet trucks with ball bearing	Wheel Ø (D) [mm]	Wheel width (T2) [mm]	Axle bore Ø (d) [mm]	Clamping length (T5) [mm]	Ball bearing	Rollers for pallet trucks without ball bearing	Bearing seating Ø (S) [mm]	Bearing seating depth (t) [mm]	Load capacity [kg]
HTH 85x75/20-77K	85	75	20	77	6204 ZZV	RK-HTH 085x075/47x14-75-Z	47	14	720
HTH 85x75/20-79K	85	75	20	79	6204 ZZV	RK-HTH 085x075/47x15-75-Z	47	15	720
HTH 85x78/20-78K	85	78	20	78	6204 ZZ	RK-HTH 085x078/47x14-78-Z	47	14	740
HTH 85x80/17-82K	85	80	17	82	6303 ZZ	RK-HTH 085x080/47x14-80-Z	47	14	770
HTH 85x80/20-80K	85	80	20	80	6204 ZZ	RK-HTH 085x080/47x14-80-Z	47	14	770
HTH 85x80/20-85K	85	80	20	85	6204 ZZV	RK-HTH 085x080/47x14-80-Z	47	14	770
HTH 85x80/25-74K	85	80	25	74	6205 ZZ	RK-HTH 085x080/52x18-80-Z	52	18	770
HTH 85x80/25-80K	85	80	25	80	6005 ZZ	RK-HTH 085x080/47x14-80-Z	47	14	770
HTH 85x80/25-85K	85	80	25	85	6005 ZZV	RK-HTH 085x080/47x14-80-Z	47	14	770
HTH 85x85/20-85K	85	85	20	85	6204 ZZ	RK-HTH 085x085/47x14-85-Z	47	14	820
HTH 85x85/25-85K	85	85	25	85	6005 ZZ	RK-HTH 085x085/47x14-85-Z	47	14	820
HTH 85x87/17-89K	85	87	17	89	6303 ZZ	RK-HTH 085x087/47x14-87-Z	47	14	830
HTH 85x90/17-90K	85	90	17	90	6303 ZZ	RK-HTH 085x090/47x14-90-Z	47	14	850
HTH 85x90/20-90K	85	90	20	90	6204 ZZ	RK-HTH 085x090/47x14-90-Z	47	14	850
HTH 85x95/20-95K	85	95	20	95	6204 ZZ	RK-HTH 085x095/47x14-95-Z	47	14	910
HTH 85x95/20-100K	85	95	20	100	6204 ZZV	RK-HTH 085x095/47x14-95-Z	47	14	910
HTH 85x100/17-100K	85	100	17	100	6303 ZZ	RK-HTH 085x100/47x14-100-Z	47	14	960
HTH 85x100/20-100K	85	100	20	100	6204 ZZ	RK-HTH 085x100/47x14-100-Z	47	14	960
HTH 85x100/20-102K	85	100	20	102	6204 ZZV	RK-HTH 085x100/47x14-100-Z	47	14	960
HTH 85x100/20-104K	85	100	20	104	6204 ZZV	RK-HTH 085x100/47x15-100-Z	47	15	960
HTH 85x100/25-100K	85	100	25	100	6005 ZZ	RK-HTH 085x100/47x14-100-Z	47	14	960
HTH 85x100/25-104K	85	100	25	104	6005 ZZV	RK-HTH 085x100/47x14-100-Z	47	14	960
HTH 85x105/25-110K	85	105	25	110	6005 ZZV	RK-HTH 085x105/47x13-105-Z	47	12.5	1,010
HTH 85x110/25-110K	85	110	25	110	6005 ZZ	RK-HTH 085x110/47x14-110-Z	47	14	1,060
HTH 85x110/25-114K	85	110	25	114	6005 ZZV	RK-HTH 085x110/47x14-110-Z	47	14	1,060
HTH 85x120/25-124K	85	120	25	124	6005 ZZV	RK-HTH 085x120/47x14-120-Z	47	14	1,130
HTH 90x42/20-40K	90	42	20	40	6204 ZZ	RK-HTH 090x042/47x15-42-Z	47	15	420
HTH 90x50/20-48K	90	50	20	48	6204 ZZ	RK-HTH 090x050/47x15-50-Z	47	15	500

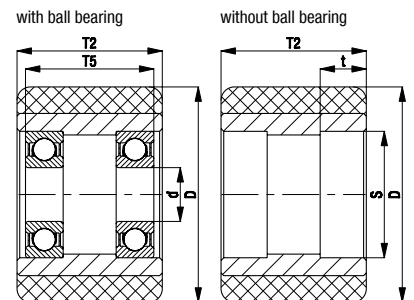
Other dimensions available upon request

Versions / options



	with Blickle Softhane® polyurethane tread	splash and washproof version
Technical description page	55	79
Product code suffix	HST series	HTHW series
Available for	upon request*	see page 564–565

* Hardness 75 Shore A



HTHW series, dimensions 82x60-85x80 mm

Rollers for pallet trucks with Blickle Extrathane® polyurethane tread, metal wheel centre, splash and washproof



550–1,010 kg

Tread and tyre hardness

92 Shore A

Smooth operation / floor preservation

good

Rolling resistance

very good

Wear resistance

excellent



Tread:

- high-quality polyurethane elastomer Blickle Extrathane®, hardness 92 Shore A
- low rolling resistance
- high abrasion resistance
- high cut and tear propagation resistance
- colour light brown, non-marking, non-staining
- excellent chemical connection with the wheel centre

Wheel centre:

- metal

Other features:

- high chemical resistance to many aggressive substances
- operating temperature: -20 °C to +70 °C, temporarily up to +90 °C, reduced load capacity over +40 °C
- optimal splash and washproof for ball bearing through combination of clearance sealing and slipping sealing

Additional details:

- wheel series: page 79
- tread: page 55
- bearing types: page 84–85
- chemical resistance: page 51

Rollers for pallet trucks	Wheel Ø (D) [mm]	Wheel width (T2) [mm]	Load capacity [kg]	Bearing type	Axle bore Ø (d) [mm]	Clamping length (T5) [mm]
HTHW 82x60/12-64K	82	60	550	ball bearing	12	64
HTHW 82x60/20-64K	82	60	550	ball bearing	20	64
HTHW 82x70/20-74K	82	70	640	ball bearing	20	74
HTHW 82x82/20-86K	82	82	750	ball bearing	20	86
HTHW 82x100/20-104K	82	100	920	ball bearing	20	104
HTHW 82x110/25-115K	82	110	1,010	ball bearing	25	115
HTHW 85x60/12-65K	85	60	560	ball bearing	12	65
HTHW 85x60/17-65K	85	60	560	ball bearing	17	65
HTHW 85x60/20-65K	85	60	560	ball bearing	20	65
HTHW 85x60/25-65K	85	60	560	ball bearing	25	65
HTHW 85x65/12-70K	85	65	610	ball bearing	12	70
HTHW 85x65/17-70K	85	65	610	ball bearing	17	70
HTHW 85x65/20-70K	85	65	610	ball bearing	20	70
HTHW 85x65/25-70K	85	65	610	ball bearing	25	70
HTHW 85x70/12-75K	85	70	660	ball bearing	12	75
HTHW 85x70/17-75K	85	70	660	ball bearing	17	75
HTHW 85x70/20-75K	85	70	660	ball bearing	20	75
HTHW 85x70/25-75K	85	70	660	ball bearing	25	75
HTHW 85x75/12-80K	85	75	720	ball bearing	12	80
HTHW 85x75/17-80K	85	75	720	ball bearing	17	80
HTHW 85x75/20-80K	85	75	720	ball bearing	20	80
HTHW 85x75/25-80K	85	75	720	ball bearing	25	80
HTHW 85x80/12-85K	85	80	770	ball bearing	12	85
HTHW 85x80/17-82K	85	80	770	ball bearing	17	82
HTHW 85x80/17-85K	85	80	770	ball bearing	17	85
HTHW 85x80/20-85K	85	80	770	ball bearing	20	85
HTHW 85x80/25-85K	85	80	770	ball bearing	25	85

For other dimensions, please refer to the next page

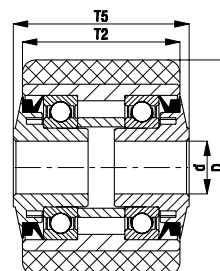
Versions / options



with Blickle Softhane® polyurethane tread	with Blickle Besthane® polyurethane tread
---	---

Technical description page	55	56
Product code suffix	HSTW series	HBW series
Available for	upon request*	upon request

* Hardness 75 Shore A



HTHW series, dimensions 85x85-85x110 mm

Rollers for pallet trucks with Blickle Extrathane® polyurethane tread, metal wheel centre, splash and washproof



820–1,060 kg

Tread and tyre hardness
 92 Shore A

Smooth operation / floor preservation
 good

Rolling resistance
 very good

Wear resistance
 excellent



- Tread:**
- high-quality polyurethane elastomer Blickle Extrathane®, hardness 92 Shore A
 - low rolling resistance
 - high abrasion resistance
 - high cut and tear propagation resistance
 - colour light brown, non-marking, non-staining
 - excellent chemical connection with the wheel centre

- Wheel centre:**
- metal

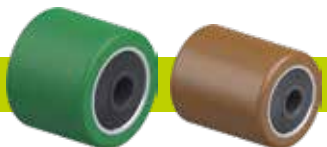
- Other features:**
- high chemical resistance to many aggressive substances
 - operating temperature: -20 °C to +70 °C, temporarily up to +90 °C, reduced load capacity over +40 °C
 - optimal splash and washproof for ball bearing through combination of clearance sealing and slipping sealing

- Additional details:**
- wheel series: page 79
 - tread: page 55
 - bearing types: page 84–85
 - chemical resistance: page 51

Rollers for pallet trucks	Wheel Ø (D) [mm]	Wheel width (T2) [mm]	Load capacity [kg]	Bearing type	Axle bore Ø (d) [mm]	Clamping length (T5) [mm]
HTHW 85x85/12-90K	85	85	820	ball bearing	12	90
HTHW 85x85/17-90K	85	85	820	ball bearing	17	90
HTHW 85x85/20-90K	85	85	820	ball bearing	20	90
HTHW 85x85/25-90K	85	85	820	ball bearing	25	90
HTHW 85x90/12-95K	85	90	850	ball bearing	12	95
HTHW 85x90/17-95K	85	90	850	ball bearing	17	95
HTHW 85x90/20-95K	85	90	850	ball bearing	20	95
HTHW 85x90/25-95K	85	90	850	ball bearing	25	95
HTHW 85x95/12-100K	85	95	910	ball bearing	12	100
HTHW 85x95/17-100K	85	95	910	ball bearing	17	100
HTHW 85x95/20-100K	85	95	910	ball bearing	20	100
HTHW 85x95/25-100K	85	95	910	ball bearing	25	100
HTHW 85x100/12-105K	85	100	960	ball bearing	12	105
HTHW 85x100/17-105K	85	100	960	ball bearing	17	105
HTHW 85x100/20-105K	85	100	960	ball bearing	20	105
HTHW 85x100/25-105K	85	100	960	ball bearing	25	105
HTHW 85x105/12-110K	85	105	1,010	ball bearing	12	110
HTHW 85x105/17-110K	85	105	1,010	ball bearing	17	110
HTHW 85x105/20-110K	85	105	1,010	ball bearing	20	110
HTHW 85x105/25-110K	85	105	1,010	ball bearing	25	110
HTHW 85x110/12-115K	85	110	1,060	ball bearing	12	115
HTHW 85x110/17-115K	85	110	1,060	ball bearing	17	115
HTHW 85x110/20-115K	85	110	1,060	ball bearing	20	115
HTHW 85x110/25-115K	85	110	1,060	ball bearing	25	115

Other dimensions available upon request

Versions / options



with Blickle Softhane® polyurethane tread	with Blickle Besthane® polyurethane tread
---	---

Technical description page	55	56
Product code suffix	HSTW series	HBW series
Available for	upon request*	upon request

* Hardness 75 Shore A

