






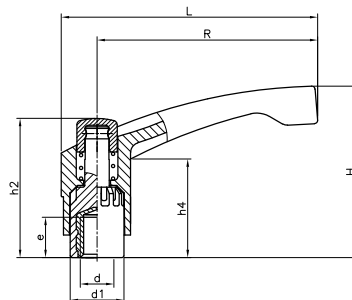
# Tecnodin **Clamping** Levers & Cranking **Handles**

| Page |  | Page |   | Page |   |
|------|--|------|---|------|---|
| 57   |    | 62   |    | 65   |  |
| 57   |    | 62   |    | 65   |  |
| 58   |    | 62   |    | 65   |  |
| 59   |    | 62   |    | 66   |  |
| 59   |   | 63   |   |      |   |
| 60   |  | 63   |  |      |   |
| 60   |  | 63   |  |      |   |
| 60   |  | 63   |  |      |   |
| 61   |  | 64   |  |      |   |
| 61   |  | 64   |  |      |   |
| 61   |  | 64   |  |      |   |
| 61   |  | 65   |  |      |   |

## 1198K ADJUSTABLE HANDLE K WITH THREADED INSERT



|   |          |
|---|----------|
|  | RAL 7021 |
|  | RAL 2004 |
|  | RAL 3001 |
|  | RAL 5005 |
|  | RAL 1021 |

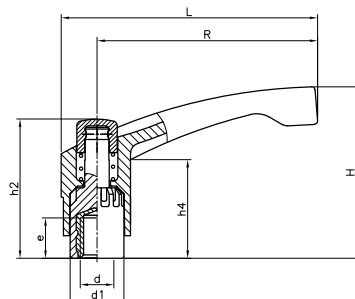


Threaded brass insert.  
PA: Reinforced Polyamide.  
Spring in stainless-steel.

| Black Lever Body |            |           |            | Orange Lever Body |            | R  | L  | H  | d   | e  | h4 | d1 | h2 |
|------------------|------------|-----------|------------|-------------------|------------|----|----|----|-----|----|----|----|----|
| Black Cap        | Orange Cap | Red Cap   | Yellow Cap | Black Cap         | Orange Cap |    |    |    |     |    |    |    |    |
| 119841301        | 119842301  | 119845301 | 119851301  | 119843301         | 119847301  | 43 | 51 | 38 | M4  | 8  | 23 | 13 | 33 |
| 119841302        | 119842302  | 119845302 | 119851302  | 119843302         | 119847302  | 43 | 51 | 38 | M5  | 9  | 23 | 13 | 33 |
| 119841303        | 119842303  | 119845303 | 119851303  | 119843303         | 119847303  | 43 | 51 | 38 | M6  | 10 | 23 | 13 | 33 |
| 119861301        | 119862301  | 119865301 | 119871301  | 119863301         | 119867301  | 65 | 75 | 48 | M6  | 10 | 26 | 16 | 42 |
| 119861302        | 119862302  | 119865302 | 119871302  | 119863302         | 119867302  | 65 | 75 | 48 | M8  | 14 | 26 | 16 | 42 |
| 119861303        | 119862303  | 119865303 | 119871303  | 119863303         | 119867303  | 65 | 75 | 48 | M10 | 13 | 26 | 16 | 42 |
| 119881301        | 119882301  | 119885301 | 119891301  | 119883301         | 119887301  | 85 | 98 | 63 | M8  | 14 | 34 | 20 | 51 |
| 119881302        | 119882302  | 119885302 | 119891302  | 119883302         | 119887302  | 85 | 98 | 63 | M10 | 17 | 34 | 20 | 51 |
| 119881303        | 119882303  | 119885303 | 119891303  | 119883303         | 119887303  | 85 | 98 | 63 | M12 | 19 | 34 | 20 | 51 |

| Red Lever Body |           | Blue Lever Body |           | R  | L  | H  | d   | e  | h4 | d1 | h2 |
|----------------|-----------|-----------------|-----------|----|----|----|-----|----|----|----|----|
| Black Cap      | Red Cap   | Black Cap       | Blue Cap  |    |    |    |     |    |    |    |    |
| 119846301      | 119840301 | 119849301       | 119848301 | 43 | 51 | 38 | M4  | 8  | 23 | 13 | 33 |
| 119846302      | 119840302 | 119849302       | 119848302 | 43 | 51 | 38 | M5  | 9  | 23 | 13 | 33 |
| 119846303      | 119840303 | 119849303       | 119848303 | 43 | 51 | 38 | M6  | 10 | 23 | 13 | 33 |
| 119866301      | 119860301 | 119869301       | 119868301 | 65 | 75 | 48 | M6  | 10 | 26 | 16 | 42 |
| 119866302      | 119860302 | 119869302       | 119868302 | 65 | 75 | 48 | M8  | 14 | 26 | 16 | 42 |
| 119866303      | 119860303 | 119869303       | 119868303 | 65 | 75 | 48 | M10 | 13 | 26 | 16 | 42 |
| 119886301      | 119880301 | 119889301       | 119888301 | 85 | 98 | 63 | M8  | 14 | 34 | 20 | 51 |
| 119886302      | 119880302 | 119889302       | 119888302 | 85 | 98 | 63 | M10 | 17 | 34 | 20 | 51 |
| 119886303      | 119880303 | 119889303       | 119888303 | 85 | 98 | 63 | M12 | 19 | 34 | 20 | 51 |

## 1198K ADJUSTABLE HANDLE K WITH THREADED SS INSERT



| Code      | R  | L  | H  | d   | e  | h4 | d1 | h2 | Color |
|-----------|----|----|----|-----|----|----|----|----|-------|
| 119841305 | 43 | 51 | 38 | M6  | 10 | 23 | 13 | 33 | Black |
| 119861305 | 65 | 75 | 48 | M6  | 10 | 26 | 16 | 42 | Black |
| 119861306 | 65 | 75 | 48 | M8  | 14 | 26 | 16 | 42 | Black |
| 119881305 | 85 | 98 | 63 | M10 | 17 | 34 | 20 | 51 | Black |

Threaded female stainless-steel  
AISI-303 insert.  
PA: Reinforced Polyamide.  
Spring in stainless-steel.



RAL 7021

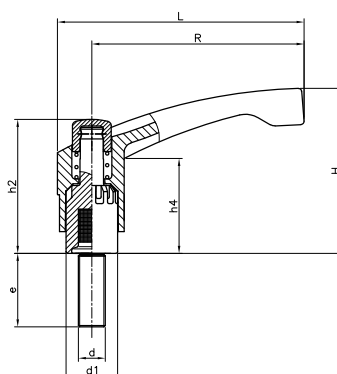


# 1198T ADJUSTABLE HANDLE T WITH THREADED STUD



- RAL 7021
- RAL 2004
- RAL 3001
- RAL 5005
- RAL 1021

Treated threaded steel stud.  
PA: Reinforced Polyamide.  
Spring in stainless-steel.

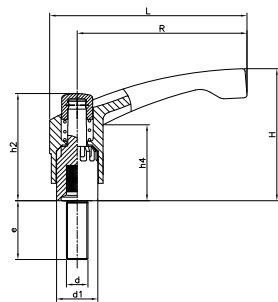


| Black Lever Body |            |           |            | Orange Lever Body |            | R  | L  | H  | d   | e  | h4 | d1 | h2 |
|------------------|------------|-----------|------------|-------------------|------------|----|----|----|-----|----|----|----|----|
| Black Cap        | Orange Cap | Red Cap   | Yellow Cap | Black Cap         | Orange Cap |    |    |    |     |    |    |    |    |
| 119841503        | 119842503  | 119845503 | 119851503  | 119843503         | 119847503  | 43 | 51 | 38 | M5  | 10 | 23 | 13 | 33 |
| 119841504        | 119842504  | 119845504 | 119851504  | 119843504         | 119847504  | 43 | 51 | 38 | M5  | 20 | 23 | 13 | 33 |
| 119841505        | 119842505  | 119845505 | 119851505  | 119843505         | 119847505  | 43 | 51 | 38 | M6  | 15 | 23 | 13 | 33 |
| 119841506        | 119842506  | 119845506 | 119851506  | 119843506         | 119847506  | 43 | 51 | 38 | M6  | 25 | 23 | 13 | 33 |
| 119841507        | 119842507  | 119845507 | 119851507  | 119843507         | 119847507  | 43 | 51 | 38 | M6  | 40 | 23 | 13 | 33 |
| 119861501        | 119862501  | 119865501 | 119871501  | 119863501         | 119867501  | 65 | 75 | 48 | M6  | 15 | 26 | 16 | 42 |
| 119861502        | 119862502  | 119865502 | 119871502  | 119863502         | 119867502  | 65 | 75 | 48 | M6  | 20 | 26 | 16 | 42 |
| 119861503        | 119862503  | 119865503 | 119871503  | 119863503         | 119867503  | 65 | 75 | 48 | M6  | 30 | 26 | 16 | 42 |
| 119861504        | 119862504  | 119865504 | 119871504  | 119863504         | 119867504  | 65 | 75 | 48 | M6  | 40 | 26 | 16 | 42 |
| 119861523        | 119862523  | 119865523 | 119871523  | 119863523         | 119867523  | 65 | 75 | 48 | M8  | 15 | 26 | 16 | 42 |
| 119861506        | 119862506  | 119865506 | 119871506  | 119863506         | 119867506  | 65 | 75 | 48 | M8  | 20 | 26 | 16 | 42 |
| 119861507        | 119862507  | 119865507 | 119871507  | 119863507         | 119867507  | 65 | 75 | 48 | M8  | 33 | 26 | 16 | 42 |
| 119861508        | 119862508  | 119865508 | 119871508  | 119863508         | 119867508  | 65 | 75 | 48 | M8  | 47 | 26 | 16 | 42 |
| 119861511        | 119862511  | 119865511 | 119871511  | 119863511         | 119867511  | 65 | 75 | 48 | M10 | 20 | 26 | 16 | 42 |
| 119861512        | 119862512  | 119865512 | 119871512  | 119863512         | 119867512  | 65 | 75 | 48 | M10 | 30 | 26 | 16 | 42 |
| 119861513        | 119862513  | 119865513 | 119871513  | 119863513         | 119867513  | 65 | 75 | 48 | M10 | 40 | 26 | 16 | 42 |
| 119881501        | 119882501  | 119885501 | 119891501  | 119883501         | 119887501  | 85 | 98 | 63 | M8  | 20 | 34 | 20 | 51 |
| 119881502        | 119882502  | 119885502 | 119891502  | 119883502         | 119887502  | 85 | 98 | 63 | M8  | 33 | 34 | 20 | 51 |
| 119881503        | 119882503  | 119885503 | 119891503  | 119883503         | 119887503  | 85 | 98 | 63 | M8  | 47 | 34 | 20 | 51 |
| 119881504        | 119882504  | 119885504 | 119891504  | 119883504         | 119887504  | 85 | 98 | 63 | M10 | 20 | 34 | 20 | 51 |
| 119881505        | 119882505  | 119885505 | 119891505  | 119883505         | 119887505  | 85 | 98 | 63 | M10 | 30 | 34 | 20 | 51 |
| 119881506        | 119882506  | 119885506 | 119891506  | 119883506         | 119887506  | 85 | 98 | 63 | M10 | 40 | 34 | 20 | 51 |
| 119881507        | 119882507  | 119885507 | 119891507  | 119883507         | 119887507  | 85 | 98 | 63 | M12 | 30 | 34 | 20 | 51 |
| 119881508        | 119882508  | 119885508 | 119891508  | 119883508         | 119887508  | 85 | 98 | 63 | M12 | 40 | 34 | 20 | 51 |
| 119881509        | 119882509  | 119885509 | 119891509  | 119883509         | 119887509  | 85 | 98 | 63 | M12 | 60 | 34 | 20 | 51 |

| Red Lever Body |           | Blue Lever Body |           | R  | L  | H  | d   | e  | h4 | d1 | h2 |
|----------------|-----------|-----------------|-----------|----|----|----|-----|----|----|----|----|
| Black Cap      | Red Cap   | Black Cap       | Blue Cap  |    |    |    |     |    |    |    |    |
| 119846503      | 119840503 | 119849503       | 119848503 | 43 | 51 | 38 | M5  | 10 | 23 | 13 | 33 |
| 119846504      | 119840504 | 119849504       | 119848504 | 43 | 51 | 38 | M5  | 20 | 23 | 13 | 33 |
| 119846505      | 119840505 | 119849505       | 119848505 | 43 | 51 | 38 | M6  | 15 | 23 | 13 | 33 |
| 119846506      | 119840506 | 119849506       | 119848506 | 43 | 51 | 38 | M6  | 25 | 23 | 13 | 33 |
| 119846507      | 119840507 | 119849507       | 119848507 | 43 | 51 | 38 | M6  | 40 | 23 | 13 | 33 |
| 119866501      | 119860501 | 119869501       | 119868501 | 65 | 75 | 48 | M6  | 15 | 26 | 16 | 42 |
| 119866502      | 119860502 | 119869502       | 119868502 | 65 | 75 | 48 | M6  | 20 | 26 | 16 | 42 |
| 119866503      | 119860503 | 119869503       | 119868503 | 65 | 75 | 48 | M6  | 30 | 26 | 16 | 42 |
| 119866504      | 119860504 | 119869504       | 119868504 | 65 | 75 | 48 | M6  | 40 | 26 | 16 | 42 |
| 119866506      | 119860506 | 119869506       | 119868506 | 65 | 75 | 48 | M8  | 15 | 26 | 16 | 42 |
| 119866507      | 119860507 | 119869507       | 119868507 | 65 | 75 | 48 | M8  | 20 | 26 | 16 | 42 |
| 119866508      | 119860508 | 119869508       | 119868508 | 65 | 75 | 48 | M8  | 33 | 26 | 16 | 42 |
| 119866511      | 119860511 | 119869511       | 119868511 | 65 | 75 | 48 | M8  | 47 | 26 | 16 | 42 |
| 119866512      | 119860512 | 119869512       | 119868512 | 65 | 75 | 48 | M10 | 20 | 26 | 16 | 42 |
| 119866513      | 119860513 | 119869513       | 119868513 | 65 | 75 | 48 | M10 | 30 | 26 | 16 | 42 |
| 119866523      | 119860523 | 119869523       | 119868523 | 65 | 75 | 48 | M10 | 40 | 26 | 16 | 42 |

| Red Lever Body |           | Blue Lever Body |           | R  | L  | H  | d   | e  | h4 | d1 | h2 |
|----------------|-----------|-----------------|-----------|----|----|----|-----|----|----|----|----|
| Black Cap      | Red Cap   | Black Cap       | Blue Cap  |    |    |    |     |    |    |    |    |
| 119886501      | 119880501 | 119889501       | 119888501 | 85 | 98 | 63 | M8  | 20 | 34 | 20 | 51 |
| 119886502      | 119880502 | 119889502       | 119888502 | 85 | 98 | 63 | M8  | 33 | 34 | 20 | 51 |
| 119886503      | 119880503 | 119889503       | 119888503 | 85 | 98 | 63 | M8  | 47 | 34 | 20 | 51 |
| 119886504      | 119880504 | 119889504       | 119888504 | 85 | 98 | 63 | M10 | 20 | 34 | 20 | 51 |
| 119886505      | 119880505 | 119889505       | 119888505 | 85 | 98 | 63 | M10 | 30 | 34 | 20 | 51 |
| 119886506      | 119880506 | 119889506       | 119888506 | 85 | 98 | 63 | M10 | 40 | 34 | 20 | 51 |
| 119886507      | 119880507 | 119889507       | 119888507 | 85 | 98 | 63 | M12 | 30 | 34 | 20 | 51 |
| 119886508      | 119880508 | 119889508       | 119888508 | 85 | 98 | 63 | M12 | 40 | 34 | 20 | 51 |
| 119886509      | 119880509 | 119889509       | 119888509 | 85 | 98 | 63 | M12 | 60 | 34 | 20 | 51 |

## 1198T ADJUSTABLE HANDLE T WITH THREADED SS STUD



| Code      | R  | L  | H  | d   | e  | h4 | d1 | h2 | Color |
|-----------|----|----|----|-----|----|----|----|----|-------|
| 119841508 | 43 | 51 | 38 | M6  | 16 | 23 | 13 | 33 | Black |
| 119861515 | 65 | 75 | 48 | M6  | 16 | 26 | 16 | 42 | Black |
| 119861516 | 65 | 75 | 48 | M8  | 20 | 26 | 16 | 42 | Black |
| 119861517 | 65 | 75 | 48 | M8  | 40 | 26 | 16 | 42 | Black |
| 119881515 | 85 | 98 | 63 | M10 | 20 | 34 | 20 | 51 | Black |
| 119881516 | 85 | 98 | 63 | M10 | 30 | 34 | 20 | 51 | Black |
| 119881517 | 85 | 98 | 63 | M12 | 30 | 34 | 20 | 51 | Black |
| 119881518 | 85 | 98 | 63 | M12 | 50 | 34 | 20 | 51 | Black |

Threaded stainless-steel AISI-303 stud.  
 PA: Reinforced Polyamide.  
 Spring in stainless-steel.  
 Available in other colours on request.

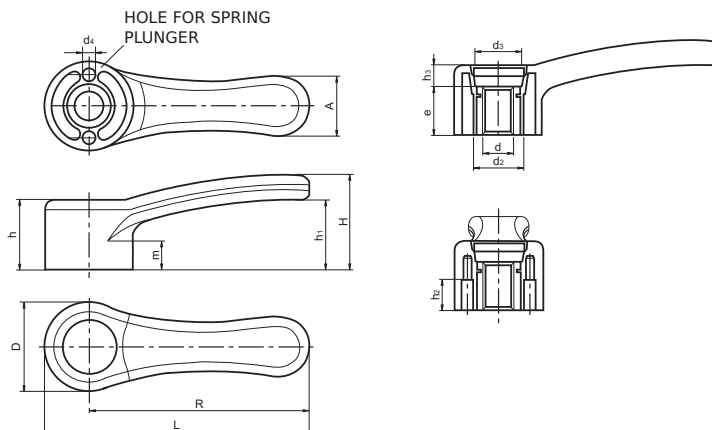


## 4749 FIXED LEVER K WITH THREADED INSERT

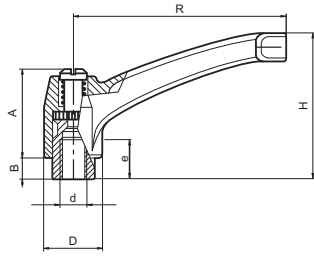


| Code      | R   | D  | H  | d   | L     | e  | h  | h1 | h2   | h3 | m    | A  | d2 | d3   | d4 | Color | Cap  |
|-----------|-----|----|----|-----|-------|----|----|----|------|----|------|----|----|------|----|-------|------|
| 474906301 | 68  | 33 | 37 | M6  | 84.5  | 16 | 25 | 27 | 11.5 | 9  | 12   | 20 | 20 | 16   | 4  | Black | Grey |
| 474906302 | 68  | 33 | 37 | M8  | 84.5  | 16 | 25 | 27 | 11.5 | 9  | 12   | 20 | 20 | 16   | 4  | Black | Grey |
| 474908302 | 86  | 36 | 40 | M8  | 104   | 16 | 28 | 29 | 14   | 12 | 13   | 24 | 22 | 18   | 5  | Black | Grey |
| 474908301 | 86  | 36 | 40 | M10 | 104   | 16 | 28 | 29 | 14   | 12 | 13   | 24 | 22 | 18   | 5  | Black | Grey |
| 474911301 | 112 | 45 | 47 | M12 | 134.5 | 24 | 36 | 35 | 14.5 | 12 | 16   | 30 | 26 | 23.5 | 6  | Black | Grey |
| 474914301 | 142 | 55 | 52 | M16 | 169.5 | 27 | 40 | 36 | 18   | 13 | 17.5 | 37 | 32 | 28   | 8  | Black | Grey |

Zinc plated steel threaded bush.  
 PA: Lever and cap made of reinforced polyamide.  
 Lever body is colour black and cap is grey (RAL 7035).



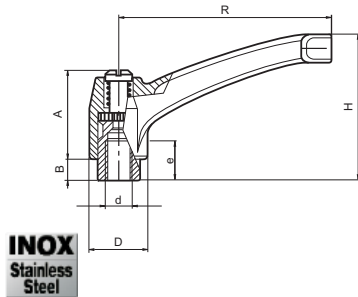
## 4750C INDEXED CLAMPING LEVER 4750 C WITH FEMALE THREAD



Black oxide treated steel insert with female threaded hole.  
Die Cast Zamak lever body, black RAL 9005.  
For other threads and colours (orange RAL 2004, grey RAL 7031), please ask.

| Code      | R   | H  | A    | B    | D  | d   | e  | Color |
|-----------|-----|----|------|------|----|-----|----|-------|
| 475004301 | 43  | 30 | 25   | 5    | 14 | M4  | 7  | Black |
| 475004302 | 43  | 30 | 25   | 5    | 14 | M5  | 9  | Black |
| 475004303 | 43  | 30 | 25   | 5    | 14 | M6  | 9  | Black |
| 475006302 | 65  | 45 | 27   | 7    | 19 | M6  | 10 | Black |
| 475006301 | 65  | 45 | 27   | 7    | 19 | M8  | 10 | Black |
| 475008303 | 80  | 57 | 34   | 8    | 22 | M8  | 14 | Black |
| 475008302 | 80  | 57 | 34   | 8    | 22 | M10 | 13 | Black |
| 475008301 | 80  | 56 | 34   | 8    | 22 | M12 | 12 | Black |
| 475009301 | 94  | 65 | 39,5 | 10,5 | 26 | M10 | 20 | Black |
| 475009303 | 94  | 65 | 39,5 | 10,5 | 26 | M12 | 20 | Black |
| 475009302 | 94  | 65 | 39,5 | 10,5 | 26 | M16 | 20 | Black |
| 475010301 | 108 | 75 | 44   | 12   | 30 | M16 | 26 | Black |

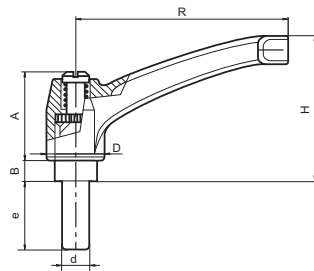
## 4750C INDEXED CLAMPING LEVER 4750 C WITH SS THREADED HOLE



Stainless steel insert with female threaded hole (AISI 303). Fixing screw (AISI 304). Spring (AISI 302).  
Die Cast Zamak lever body, black RAL 9005.  
For other threads and colours (orange RAL 2004, grey RAL 7031), please ask.

| Code      | R  | H  | A    | B    | D  | d   | e  | Color |
|-----------|----|----|------|------|----|-----|----|-------|
| 475004312 | 43 | 30 | 25   | 5    | 14 | M5  | 9  | Black |
| 475004313 | 43 | 30 | 25   | 5    | 14 | M6  | 9  | Black |
| 475006312 | 65 | 45 | 27   | 7    | 19 | M6  | 10 | Black |
| 475006311 | 65 | 45 | 27   | 7    | 19 | M8  | 10 | Black |
| 475008313 | 80 | 57 | 34   | 8    | 22 | M8  | 14 | Black |
| 475008312 | 80 | 57 | 34   | 8    | 22 | M10 | 13 | Black |
| 475008311 | 80 | 57 | 34   | 8    | 22 | M12 | 12 | Black |
| 475009313 | 94 | 65 | 39,5 | 10,5 | 26 | M12 | 20 | Black |

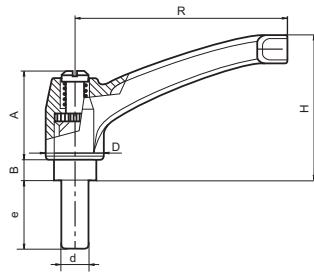
## 4750T INDEXED CLAMPING LEVER 4750 T WITH THREADED STUD



Black oxide treated steel insert with male threaded stud.  
Die Cast Zamak lever body, black RAL 9005.  
For other threads and colours (orange RAL 2004, grey RAL 7031), please ask.

| Code      | R   | H  | A    | B    | D  | d   | e  | Color |
|-----------|-----|----|------|------|----|-----|----|-------|
| 475004505 | 43  | 30 | 25   | 5    | 14 | M5  | 16 | Black |
| 475004508 | 43  | 30 | 25   | 5    | 14 | M5  | 30 | Black |
| 475004509 | 43  | 30 | 25   | 5    | 14 | M6  | 16 | Black |
| 475004511 | 43  | 30 | 25   | 5    | 14 | M6  | 25 | Black |
| 475004513 | 43  | 30 | 25   | 5    | 14 | M6  | 40 | Black |
| 475006512 | 65  | 45 | 27   | 7    | 19 | M6  | 20 | Black |
| 475006514 | 65  | 45 | 27   | 7    | 19 | M6  | 30 | Black |
| 475006502 | 65  | 45 | 27   | 7    | 19 | M8  | 16 | Black |
| 475006501 | 65  | 45 | 27   | 7    | 19 | M8  | 30 | Black |
| 475006508 | 65  | 45 | 27   | 7    | 19 | M8  | 45 | Black |
| 475008501 | 80  | 57 | 34   | 8    | 22 | M8  | 20 | Black |
| 475008505 | 80  | 57 | 34   | 8    | 22 | M8  | 40 | Black |
| 475008507 | 80  | 57 | 34   | 8    | 22 | M10 | 20 | Black |
| 475008511 | 80  | 57 | 34   | 8    | 22 | M10 | 40 | Black |
| 475009517 | 94  | 65 | 39,5 | 10,5 | 26 | M12 | 20 | Black |
| 475009503 | 94  | 65 | 39,5 | 10,5 | 26 | M12 | 30 | Black |
| 475009507 | 94  | 65 | 39,5 | 10,5 | 26 | M12 | 50 | Black |
| 475009515 | 94  | 65 | 39,5 | 10,5 | 26 | M16 | 30 | Black |
| 475009501 | 94  | 65 | 39,5 | 10,5 | 26 | M16 | 50 | Black |
| 475010501 | 108 | 75 | 44   | 12   | 30 | M16 | 40 | Black |
| 475010502 | 108 | 75 | 44   | 12   | 30 | M16 | 60 | Black |

## 4750T INDEXED CLAMPING LEVER 4750 T WITH SS THREADED STUD

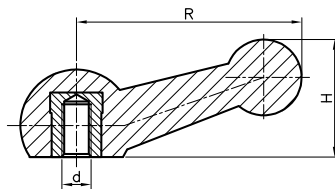


Stainless steel insert with threaded stud (AISI 303).  
 Fixing screw (AISI 304). Spring (AISI 302).  
 Die Cast Zamak lever body, black RAL 9005.  
 For other threads and colours (orange RAL 2004,  
 grey RAL 7031), please ask.  
 \*Please ask minimum quantities.

| Code       | R   | H  | A    | B    | D  | d   | e  | Color |
|------------|-----|----|------|------|----|-----|----|-------|
| 475004521  | 43  | 30 | 25   | 5    | 14 | M5  | 16 | Black |
| 475004523  | 43  | 30 | 25   | 5    | 14 | M5  | 30 | Black |
| 475004524  | 43  | 30 | 25   | 5    | 14 | M6  | 16 | Black |
| 475004526  | 43  | 30 | 25   | 5    | 14 | M6  | 30 | Black |
| 475006524  | 65  | 45 | 27   | 7    | 19 | M8  | 16 | Black |
| 475006526  | 65  | 45 | 27   | 7    | 19 | M8  | 30 | Black |
| 475008529  | 80  | 57 | 34   | 8    | 22 | M10 | 20 | Black |
| 475008533  | 80  | 57 | 34   | 8    | 22 | M10 | 40 | Black |
| 475008528  | 80  | 57 | 34   | 8    | 22 | M12 | 20 | Black |
| 475008530  | 80  | 57 | 34   | 8    | 22 | M12 | 50 | Black |
| 475009521  | 94  | 65 | 39,5 | 10,5 | 26 | M12 | 30 | Black |
| *475010522 | 108 | 75 | 44   | 12   | 30 | M16 | 20 | Black |
| *475010523 | 108 | 75 | 44   | 12   | 30 | M16 | 50 | Black |

**INOX**  
 Stainless  
 Steel

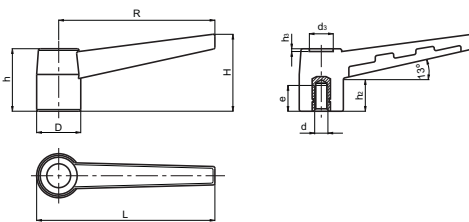
## 1130 BIBOLA FIXED LEVER



Treated steel insert.  
 PA: Reinforced polyamide.

| Code      | R  | H  | d   | Color |
|-----------|----|----|-----|-------|
| 113008302 | 77 | 44 | M10 | Black |

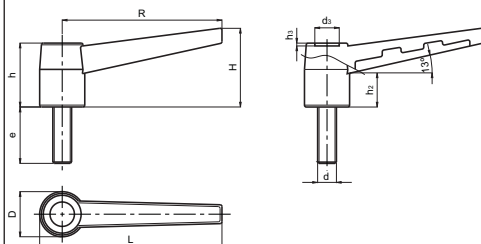
## 4751K FIXED LEVER 4751 K WITH THREADED INSERT



Brass insert .  
 PA: Black reinforced polyamide.

| Code      | R  | L  | H    | D  | h    | h2 | h3 | d3 | d   | e  |
|-----------|----|----|------|----|------|----|----|----|-----|----|
| 475104301 | 43 | 50 | 21.5 | 15 | 19   | 9  | 1  | 7  | M6  | 10 |
| 475106301 | 68 | 78 | 36   | 21 | 28.5 | 11 | 2  | 10 | M8  | 15 |
| 475108301 | 83 | 93 | 40   | 24 | 34   | 18 | 2  | 13 | M10 | 14 |

## 4751T FIXED LEVER 4751 T WITH THREADED STUD



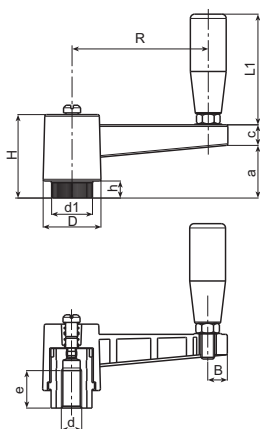
Treated steel stud.  
 PA: Black reinforced polyamide.

| Code      | R  | L  | H    | D  | h    | h2 | h3 | d3 | d   | e  |
|-----------|----|----|------|----|------|----|----|----|-----|----|
| 475104501 | 43 | 50 | 21.5 | 15 | 19   | 9  | 1  | 7  | M6  | 20 |
| 475104502 | 43 | 50 | 21.5 | 15 | 19   | 9  | 1  | 7  | M6  | 40 |
| 475106501 | 68 | 78 | 36   | 21 | 28.5 | 11 | 2  | 10 | M8  | 20 |
| 475106502 | 68 | 78 | 36   | 21 | 28.5 | 11 | 2  | 10 | M8  | 40 |
| 475108501 | 83 | 93 | 40   | 24 | 34   | 18 | 2  | 13 | M10 | 20 |
| 475108502 | 83 | 93 | 40   | 24 | 34   | 18 | 2  | 13 | M10 | 40 |

## 4712 INDEXED CRANK HANDLE BTC G WITH SMOOTH HOLE AND REVOLVING HANDLE



Central blind treated smooth steel insert.  
Side insert for the handle in brass.  
PA: Reinforced polyamide.

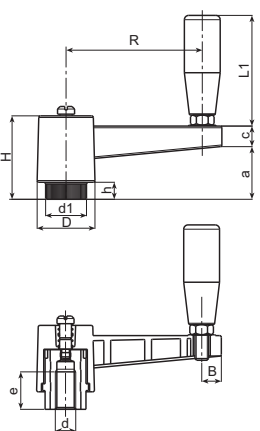


| Code      | R   | H  | h    | d1   | D  | d | e  | C  | a  | L1 | B  |
|-----------|-----|----|------|------|----|---|----|----|----|----|----|
| 471206301 | 65  | 46 | 10   | 19   | 27 | 5 | 22 | 13 | 29 | 56 | 11 |
| 471208301 | 80  | 50 | 10.5 | 24.5 | 34 | 5 | 23 | 13 | 33 | 66 | 12 |
| 471211301 | 110 | 50 | 11   | 24.5 | 34 | 5 | 28 | 14 | 33 | 66 | 13 |

## 4712K INDEXED CRANK HANDLE BTC K WITH THREADED INSERT AND REVOLVING HANDLE



Treated threaded steel insert.  
Side insert for the handle in brass.  
PA: Reinforced Polyamide.

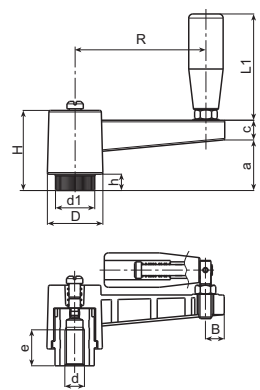


| Code      | R   | H  | h    | d1   | D  | d   | e  | C  | a  | L1 | B    |
|-----------|-----|----|------|------|----|-----|----|----|----|----|------|
| 471206331 | 65  | 46 | 10   | 19   | 27 | M8  | 18 | 13 | 29 | 56 | 9    |
| 471206332 | 65  | 46 | 10   | 19   | 27 | M10 | 17 | 13 | 29 | 56 | 9    |
| 471206333 | 65  | 46 | 10   | 19   | 27 | M12 | 17 | 13 | 29 | 56 | 9    |
| 471208331 | 80  | 50 | 10.5 | 24   | 34 | M12 | 22 | 13 | 32 | 66 | 11.5 |
| 471208332 | 80  | 50 | 10.5 | 24   | 34 | M14 | 23 | 13 | 32 | 66 | 11.5 |
| 471208333 | 80  | 50 | 10.5 | 24   | 34 | M16 | 20 | 13 | 32 | 66 | 11.5 |
| 471211331 | 110 | 50 | 11   | 24.5 | 34 | M12 | 20 | 13 | 33 | 66 | 11.5 |
| 471211332 | 110 | 50 | 11   | 24.5 | 34 | M14 | 20 | 13 | 33 | 66 | 11.5 |
| 471211333 | 110 | 50 | 11   | 24.5 | 34 | M16 | 20 | 13 | 33 | 66 | 11.5 |

## 4714 INDEXED CRANK HANDLE BTC G WITH SMOOTH HOLE AND FOLD AWAY REVOLVING HANDLE



Central blind treated smooth steel insert.  
Side insert for the handle in brass.  
PA: Reinforced polyamide.

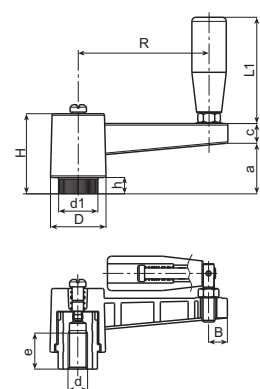


| Code      | R   | H  | h    | d1   | D  | d | e  | C  | a  | L1 | B    |
|-----------|-----|----|------|------|----|---|----|----|----|----|------|
| 471406381 | 65  | 46 | 10   | 19   | 27 | 5 | 22 | 13 | 29 | 54 | 9    |
| 471408381 | 80  | 50 | 10.5 | 24.5 | 34 | 5 | 24 | 13 | 32 | 75 | 11.5 |
| 471411381 | 110 | 50 | 11   | 24.5 | 34 | 5 | 28 | 13 | 32 | 75 | 11.5 |

## 4714K INDEXED CRANK HANDLE BTC K WITH THREADED INSERT AND FOLD AWAY REVOLVING HANDLE



Treated threaded steel insert.  
Side insert for the handle in brass.  
PA: Reinforced Polyamide.

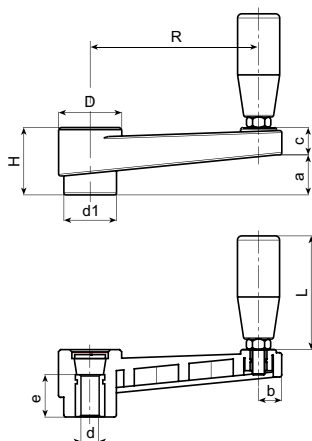


| Code      | R   | H  | h    | d1   | D  | d   | e  | C  | a  | L1 | B    |
|-----------|-----|----|------|------|----|-----|----|----|----|----|------|
| 471406331 | 65  | 46 | 10   | 19   | 27 | M8  | 18 | 13 | 29 | 54 | 9    |
| 471406332 | 65  | 46 | 10   | 19   | 27 | M10 | 17 | 13 | 29 | 54 | 9    |
| 471406333 | 65  | 46 | 10   | 19   | 27 | M12 | 17 | 13 | 29 | 54 | 9    |
| 471408331 | 80  | 50 | 10.5 | 24.5 | 34 | M12 | 22 | 13 | 32 | 75 | 11.5 |
| 471408332 | 80  | 50 | 10.5 | 24.5 | 34 | M14 | 23 | 13 | 32 | 75 | 11.5 |
| 471408333 | 80  | 50 | 10.5 | 24.5 | 34 | M16 | 20 | 13 | 32 | 75 | 11.5 |
| 471411331 | 110 | 50 | 11   | 24.5 | 34 | M12 | 20 | 13 | 33 | 75 | 11.5 |
| 471411332 | 110 | 50 | 11   | 24.5 | 34 | M14 | 20 | 13 | 33 | 75 | 11.5 |
| 471411333 | 110 | 50 | 11   | 24.5 | 34 | M16 | 20 | 13 | 33 | 75 | 11.5 |

## 4715 CRANK HANDLE BTC H WITH SMOOTH INSERT AND REVOLVING HANDLE



Central through hole treated smooth steel insert.  
PA: Black reinforced polyamide.  
Cap: Grey (RAL 7035).

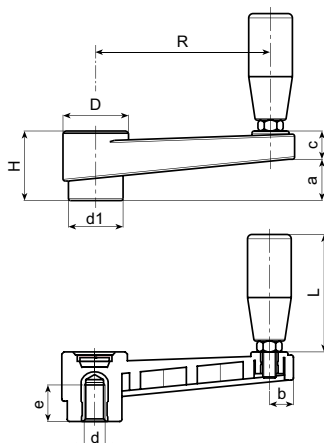


| Code      | R   | H  | d1 | D  | d | e  | c    | a  | L  | b    |
|-----------|-----|----|----|----|---|----|------|----|----|------|
| 471506301 | 65  | 30 | 22 | 27 | 5 | 20 | 13   | 17 | 56 | 9.5  |
| 471508301 | 80  | 33 | 26 | 30 | 5 | 24 | 13   | 19 | 56 | 11   |
| 471511301 | 110 | 39 | 29 | 33 | 8 | 28 | 14   | 22 | 66 | 12   |
| 471514301 | 140 | 49 | 35 | 41 | 8 | 30 | 16   | 34 | 76 | 13.5 |
| 471518301 | 185 | 55 | 40 | 45 | 8 | 34 | 16.5 | 40 | 86 | 14   |

## 4715K CRANK HANDLE BTC K WITH THREADED INSERT AND REVOLVING HANDLE



Threaded female brass insert.  
\* Treated threaded steel insert.  
Side insert for the handle in brass.  
PA: Black reinforced polyamide.  
Cap: Grey (RAL 7035).

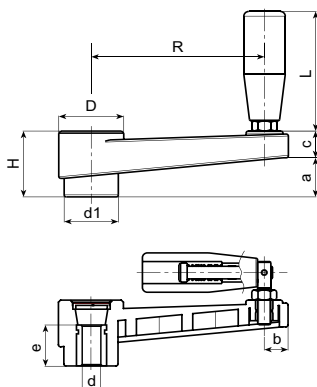


| Code       | R   | H  | d1 | D  | d   | e  | c    | a  | L  | b    |
|------------|-----|----|----|----|-----|----|------|----|----|------|
| 471506331  | 65  | 30 | 22 | 27 | M8  | 15 | 13   | 17 | 56 | 9.5  |
| 471506332  | 65  | 30 | 22 | 27 | M10 | 15 | 13   | 17 | 56 | 9.5  |
| 471506333  | 65  | 30 | 22 | 27 | M12 | 18 | 13   | 17 | 56 | 9.5  |
| 471508331  | 80  | 33 | 26 | 30 | M8  | 18 | 13   | 19 | 56 | 11   |
| 471508332  | 80  | 33 | 26 | 30 | M10 | 18 | 13   | 19 | 56 | 11   |
| 471508333  | 80  | 33 | 26 | 30 | M12 | 18 | 13   | 19 | 56 | 11   |
| 471511331  | 110 | 39 | 29 | 33 | M10 | 14 | 14   | 25 | 65 | 12   |
| 471511332  | 110 | 39 | 29 | 33 | M12 | 18 | 14   | 25 | 65 | 12   |
| 471511333  | 110 | 39 | 29 | 33 | M14 | 18 | 14   | 25 | 65 | 12   |
| 471514331  | 140 | 49 | 35 | 41 | M12 | 19 | 16   | 33 | 76 | 13.5 |
| 471514332  | 140 | 49 | 35 | 41 | M14 | 18 | 16   | 33 | 76 | 13.5 |
| *471514333 | 140 | 49 | 35 | 41 | M16 | 18 | 16   | 33 | 76 | 13.5 |
| 471518331  | 185 | 55 | 40 | 45 | M12 | 17 | 16.5 | 40 | 86 | 14   |
| 471518332  | 185 | 55 | 40 | 45 | M14 | 19 | 16.5 | 40 | 86 | 14   |
| *471518333 | 185 | 55 | 40 | 45 | M16 | 18 | 16.5 | 40 | 86 | 14   |

## 4716 CRANK HANDLE BTC H WITH SMOOTH INSERT AND FOLD AWAY REVOLVING HANDLE



Central through hole smooth treated steel insert.  
PA: Black reinforced polyamide.  
Cap: Grey (RAL 7035).



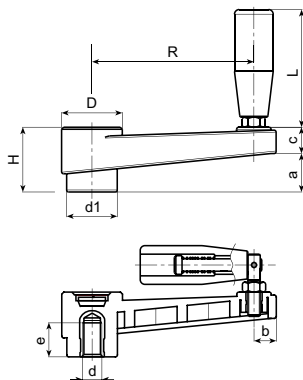
| Code      | R   | H  | d1 | D  | d | e  | c    | a  | L  | b    |
|-----------|-----|----|----|----|---|----|------|----|----|------|
| 471606381 | 65  | 30 | 22 | 27 | 5 | 20 | 13   | 17 | 54 | 9.5  |
| 471608381 | 80  | 33 | 26 | 30 | 5 | 24 | 13   | 19 | 54 | 11   |
| 471611381 | 110 | 39 | 29 | 33 | 8 | 28 | 14   | 25 | 75 | 12   |
| 471614381 | 140 | 49 | 35 | 41 | 8 | 30 | 16   | 33 | 89 | 13.5 |
| 471618381 | 185 | 55 | 40 | 45 | 8 | 34 | 16.5 | 40 | 97 | 14   |



## 4716K CRANK HANDLE BTC K WITH THREADED INSERT AND FOLD AWAY REVOLVING HANDLE

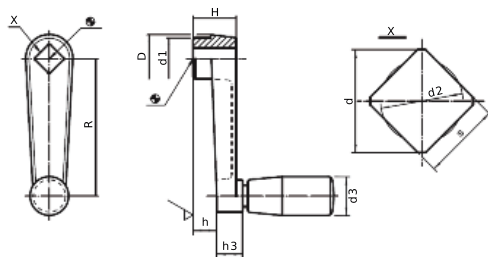


Threaded female brass insert.  
\* Treated threaded steel insert.  
PA: Black reinforced polyamide.  
Cap: Grey (RAL 7035).



| Code       | R   | H  | d1 | D  | d   | e  | c    | a  | L  | b    |
|------------|-----|----|----|----|-----|----|------|----|----|------|
| 471606331  | 65  | 30 | 22 | 27 | M8  | 15 | 13   | 17 | 54 | 9.5  |
| 471606332  | 65  | 30 | 22 | 27 | M10 | 15 | 13   | 17 | 54 | 9.5  |
| 471606333  | 65  | 30 | 22 | 27 | M12 | 18 | 13   | 17 | 54 | 9.5  |
| 471608331  | 80  | 33 | 26 | 30 | M8  | 18 | 13   | 19 | 54 | 11   |
| 471608332  | 80  | 33 | 26 | 30 | M10 | 18 | 13   | 19 | 54 | 11   |
| 471608333  | 80  | 33 | 26 | 30 | M12 | 18 | 13   | 19 | 54 | 11   |
| 471611331  | 110 | 39 | 29 | 33 | M10 | 16 | 14   | 25 | 75 | 12   |
| 471611332  | 110 | 39 | 29 | 33 | M12 | 18 | 14   | 25 | 75 | 12   |
| 471611333  | 110 | 39 | 29 | 33 | M14 | 18 | 14   | 25 | 75 | 12   |
| 471614331  | 140 | 49 | 35 | 41 | M12 | 19 | 16   | 33 | 89 | 13.5 |
| 471614332  | 140 | 49 | 35 | 41 | M14 | 18 | 16   | 33 | 89 | 13.5 |
| *471614333 | 140 | 49 | 35 | 41 | M16 | 18 | 16   | 33 | 89 | 13.5 |
| 471618331  | 185 | 55 | 40 | 45 | M12 | 17 | 16.5 | 40 | 97 | 14   |
| 471618332  | 185 | 55 | 40 | 45 | M14 | 19 | 16.5 | 40 | 97 | 14   |
| *471618333 | 185 | 55 | 40 | 45 | M16 | 18 | 16.5 | 40 | 97 | 14   |

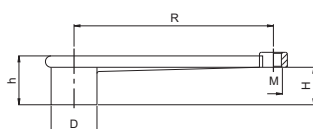
## 3805 CRANK HANDLE WITH SQUARE HOLE AND ROTATING HANDLE



Square hole.  
Rotating cylindrical handle.  
Za: Zinc die-cast, plastic coated, black.  
AL: Aluminium, plastic coated, black.  
Cylindrical handle: Black Phenolic.  
Alternative to crank handles DIN 469.

| Code      | R   | h  | H  | d1 | d    | s  | d2   | D  | h3 | d3 | Material |
|-----------|-----|----|----|----|------|----|------|----|----|----|----------|
| 380500420 | 50  | 10 | 18 | 16 | 10,1 | 8  | 8,4  | 18 | 10 | 14 | Za       |
| 380500422 | 64  | 11 | 20 | 19 | 13.1 | 10 | 10.5 | 22 | 12 | 18 | Za       |
| 380500424 | 80  | 14 | 24 | 23 | 13.1 | 10 | 10.5 | 26 | 14 | 21 | Za       |
| 380500436 | 100 | 17 | 28 | 27 | 16.1 | 12 | 12.6 | 30 | 15 | 23 | Za       |
| 380500414 | 125 | 22 | 34 | 32 | 18.1 | 14 | 14.7 | 35 | 18 | 26 | AL       |
| 380500416 | 160 | 26 | 38 | 35 | 22.2 | 17 | 17.9 | 39 | 18 | 26 | AL       |

## 3330 ALUMINIUM HANDLE DIN 469 F

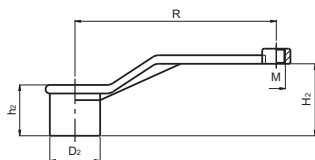


| Code      | R   | H  | h  | D  | M   | Color   |
|-----------|-----|----|----|----|-----|---------|
| 333012101 | 125 | 22 | 33 | 35 | M10 | Natural |
| 333016101 | 160 | 25 | 40 | 40 | M10 | Natural |
| 333020101 | 200 | 25 | 45 | 45 | M12 | Natural |
| 333025101 | 250 | 28 | 48 | 48 | M12 | Natural |



Without central hole  
AL: Aluminium.  
Threaded hole for handle.  
Recommended handles: 3310,3311,3312 or 3313. See page 86.  
Handles not included.

### 3332 ALUMINIUM HANDLE DIN 468 F

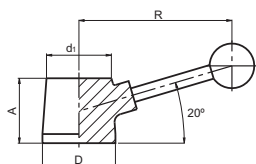


| Code      | R   | H2 | h2 | D2 | M   | Color   |
|-----------|-----|----|----|----|-----|---------|
| 333210101 | 100 | 48 | 28 | 28 | M8  | Natural |
| 333212101 | 125 | 60 | 35 | 35 | M10 | Natural |
| 333216101 | 160 | 70 | 40 | 40 | M10 | Natural |
| 333220101 | 200 | 88 | 45 | 45 | M12 | Natural |
| 333225101 | 250 | 95 | 48 | 48 | M12 | Natural |



Without central hole  
AL: Aluminium.  
Threaded hole for handle.  
Recommended handles: 3310,3311,3312 or 3313.  
See page 86.  
Handles not included.

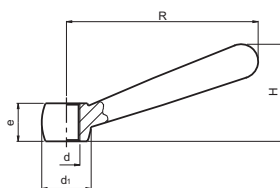
### 3338 CONNECTION LEVER SN-KG F



| Code      | R   | D  | A  | d1 | Color   |
|-----------|-----|----|----|----|---------|
| 333830101 | 80  | 30 | 23 | 21 | Natural |
| 333850101 | 120 | 50 | 40 | 40 | Natural |
| 333862101 | 150 | 63 | 40 | 50 | Natural |
| 333870101 | 175 | 70 | 45 | 56 | Natural |
| 333880101 | 190 | 80 | 50 | 66 | Natural |

Without hole  
AL: Aluminium  
Chromated steel lever and black duroplast ball.

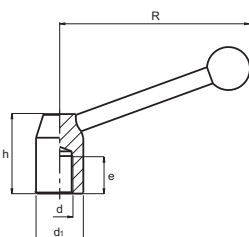
### 3740 DIN 99-N LEVER



| Code      | R   | d   | e    | d1 | H    | Color     |
|-----------|-----|-----|------|----|------|-----------|
| 374000050 | 50  | M6  | 9.5  | 12 | 24   | Blackened |
| 374000063 | 63  | M8  | 12.5 | 16 | 30.5 | Blackened |
| 374000080 | 80  | M10 | 15   | 20 | 38   | Blackened |
| 374000100 | 100 | M12 | 19   | 25 | 47   | Blackened |
| 374000125 | 125 | M16 | 25   | 32 | 59.5 | Blackened |
| 374000160 | 160 | M20 | 31   | 40 | 75.7 | Blackened |
| 374000200 | 200 | M24 | 41   | 50 | 97   | Blackened |

Threaded through hole.  
FE: Steel blackened.  
If you need in stainless steel, please ask.

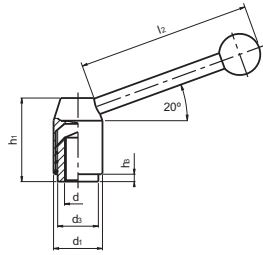
### 3743 FIXED CLAMPING LEVERS C WITH BALL KNOB



| Code      | d1 | R   | h  | d   | e  | Color     |
|-----------|----|-----|----|-----|----|-----------|
| 374320301 | 20 | 72  | 33 | M8  | 15 | Blackened |
| 374322301 | 22 | 85  | 37 | M10 | 15 | Blackened |
| 374328301 | 28 | 115 | 47 | M12 | 18 | Blackened |
| 374336301 | 36 | 145 | 58 | M16 | 24 | Blackened |
| 374345301 | 45 | 180 | 71 | M20 | 30 | Blackened |

Female thread.  
FE: Blackened steel. Black Duroplast ball knob.

## 3744 ADJUSTABLE CLAMPING LEVERS C WITH BALL KNOB

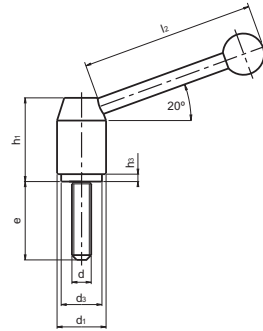


| Code      | d1 | d3   | h3  | h1 | l2  | d   | Color     |
|-----------|----|------|-----|----|-----|-----|-----------|
| 374421301 | 21 | 13.5 | 1   | 33 | 70  | M8  | Blackened |
| 374424301 | 24 | 16   | 2.5 | 40 | 96  | M10 | Blackened |
| 374428301 | 28 | 19   | 4.5 | 48 | 110 | M12 | Blackened |
| 374433301 | 33 | 23   | 6   | 55 | 124 | M16 | Blackened |
| 374440301 | 40 | 30   | 6   | 68 | 138 | M20 | Blackened |

Female thread.

FE: Blackened steel. Black Duroplast ball knob.

## 3744T ADJUSTABLE CLAMPING LEVERS T WITH BALL KNOB



| Code      | d1 | d3   | h3  | h1   | l2  | d   | e  | Color     |
|-----------|----|------|-----|------|-----|-----|----|-----------|
| 374421501 | 21 | 13.5 | 1   | 33.5 | 70  | M8  | 32 | Blackened |
| 374424501 | 24 | 16   | 2.5 | 40   | 96  | M10 | 40 | Blackened |
| 374428501 | 28 | 19   | 4.5 | 48.5 | 110 | M12 | 50 | Blackened |
| 374433501 | 33 | 23   | 6   | 55   | 124 | M16 | 63 | Blackened |
| 374440501 | 40 | 30   | 6   | 68   | 138 | M20 | 80 | Blackened |

Threaded stud.

FE: Blackened steel. Black Duroplast ball knob.