








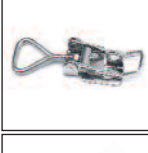
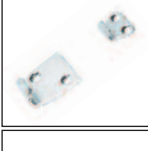





Tecnodin Lockings

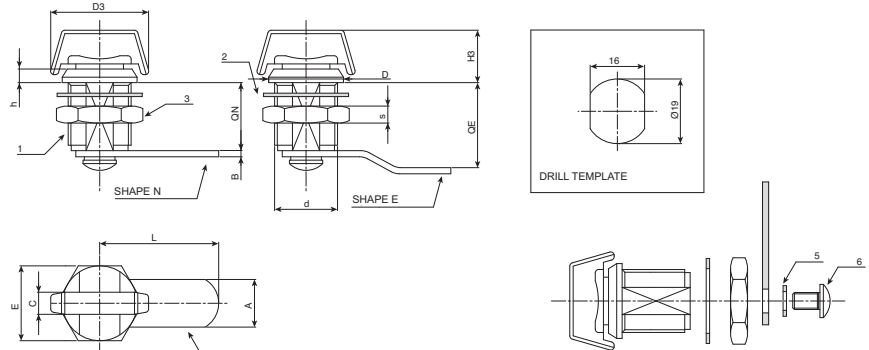
Page		Page	
107		112	
107		112	
108			
108			
109			
109			
110			
110			
111			
111			
111			
112			

4727 UNIVERSAL TUBULAR LOCK WITH KNOB



Code	d	L	Qn	Qe	D	D3	H3	h	A	B	C	E	S	Shape
472720002	M19	30	20	-	22	29	15	4	14	2.5	6.5	22	5	N
472725102	M19	30	-	25	22	29	15	4	14	2.5	6.5	22	5	E

- (1) Die-cast zamak lock body M19 (stator) rotor and knob. Nickel-plated finish.
 - (2) Black-oxide treated elastic washer d.24x1 bore d. 19,4.
 - (3) Galvanized steel hexagon nut M19x1.
 - (4) Galvanized steel locking lever. (Qn shape N flat - Qe shape E offset).
 - (5) Conical black-oxide treated steel elastic washer d.12x1,5.
 - (6) Galvanised steel Phillips dome head screw M5x8.
- Rotation: 90°



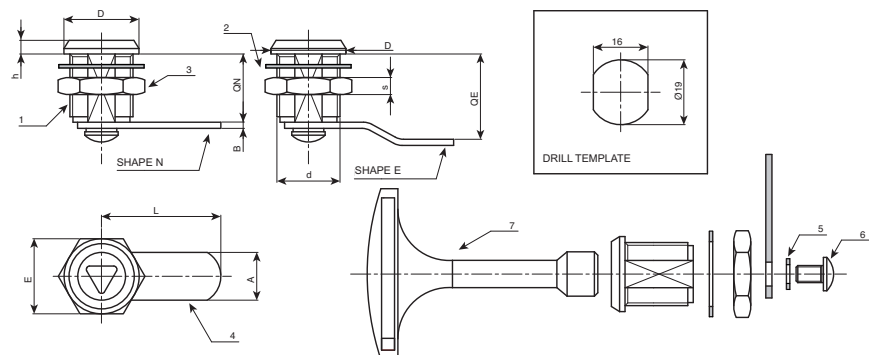
4727T UNIVERSAL TUBULAR LOCK WITH 6MM. TRIANGULAR INSERT KEY



Code	d	L	Qn	Qe	D	h	A	B	E	S	Shape
472720001	M19	35	20	-	22	4	14	2.5	22	5	N
472722000	M19	35	-	22	22	4	14	2.5	22	5	E
472725101	M19	30	-	25	22	4	14	2.5	22	5	E
472729101	M19	39	-	29	22	4	14	2.5	22	5	E
472737101	M19	35	-	37	22	4	14	2.5	22	5	E

Option(7):
Nickel-plated die-cast zamak key. (Code 472801001).
The key is not supplied. Order separately.

- (1) Die-cast zamak lock body M19 (stator) and rotor. Nickel-plated finish. 6 mm. triangular key.
 - (2) Black-oxide treated elastic washer d.24x1 bore d. 19,4.
 - (3) Galvanized steel hexagon nut M19x1.
 - (4) Galvanized steel locking lever. (Qn shape N flat - Qe shape E offset).
 - (5) Conical black-oxide treated steel elastic washer d.12x1,5.
 - (6) Galvanised steel Phillips dome head screw M5x8.
- Rotation: 90°.



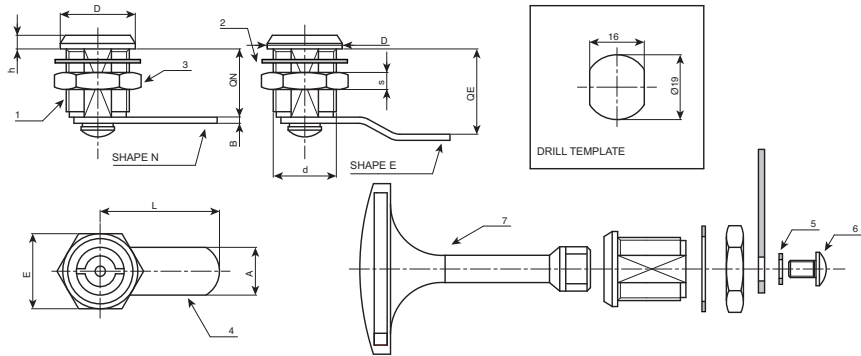
4727W UNIVERSAL TUBULAR LOCK WITH 3 MM. WINGED TUBE KEY



Code	d	L	Qn	Qe	D	h	A	B	E	S	Shape
472720003	M19	35	20	-	22	4	14	2.5	22	5	N
472722001	M19	35	-	22	22	4	14	2.5	22	5	E
472725103	M19	30	-	25	22	4	14	2.5	22	5	E
472729103	M19	39	-	29	22	4	14	2.5	22	5	E
472737103	M19	35	-	37	22	4	14	2.5	22	5	E

Option (7):
Nickel-plated die-cast zamak key. (Code 472802001).
The key is not supplied. Order separately.

- (1) Die-cast zamak lock body M19 (stator) and rotor. Nickel-plated finish. 3 mm winged tubular key.
 - (2) Black-oxide treated elastic washer d.24x1 bore d. 19,4.
 - (3) Galvanized steel hexagon nut M19x1.
 - (4) Galvanized steel locking lever. (Qn shape N flat - Qe shape E offset).
 - (5) Conical black-oxide treated steel elastic washer d.12x1,5.
 - (6) Galvanized steel Phillips dome head screw M5x8.
- Rotation: 90°.



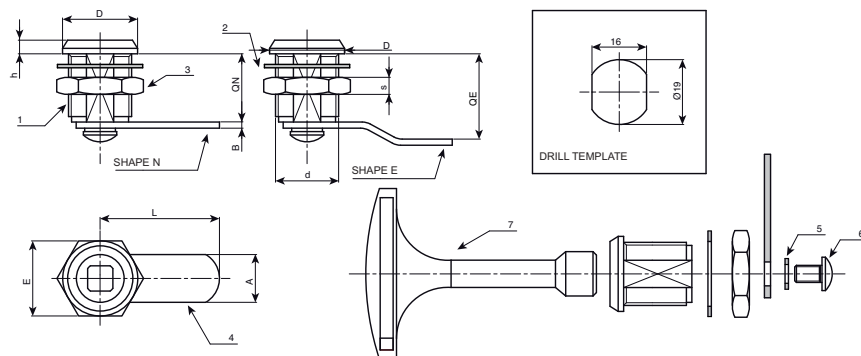
4727SQ UNIVERSAL TUBULAR LOCK WITH 7 MM. SQUARE INSERT KEY

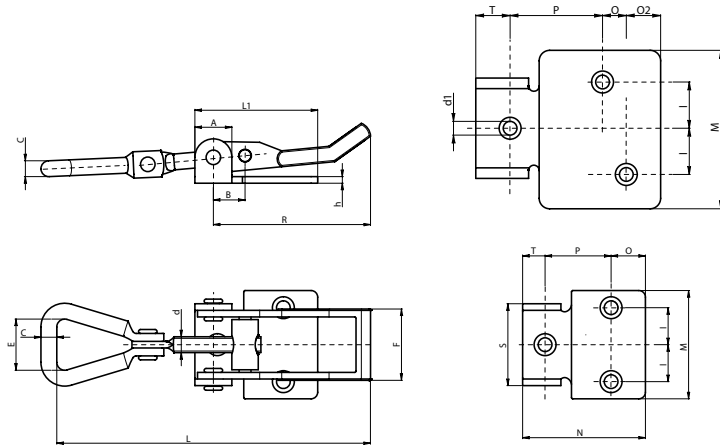


Code	d	L	Qn	Qe	D	h	A	B	E	S	Shape
472720004	M19	35	20	-	22	4	14	2.5	22	5	N
472722104	M19	35	-	22	22	4	14	2.5	22	5	E
472725104	M19	30	-	25	22	4	14	2.5	22	5	E
472729104	M19	39	-	29	22	4	14	2.5	22	5	E
472737104	M19	35	-	37	22	4	14	2.5	22	5	E

Option(7):
Nickel-plated die-cast zamak key. (Code 472803001).
The key is not supplied. Order separately.

- (1) Die-cast zamak lock body M19 (stator) and rotor. Nickel-plated finish. 7 mm. square tubular key.
 - (2) Black-oxide treated elastic washer d.24x1 bore d. 19,4.
 - (3) Galvanized steel hexagon nut M19x1.
 - (4) Galvanized steel locking lever. (Qn shape N flat - Qe shape E offset).
 - (5) Conical black-oxide treated steel elastic washer d.12x1,5.
 - (6) Galvanized steel Phillips dome head screw M5x8.
- Rotation: 90°.





Adjustable toggle latch made of galvanised shear steel.

Surface: Glossy.

The catch plate must be ordered separately.

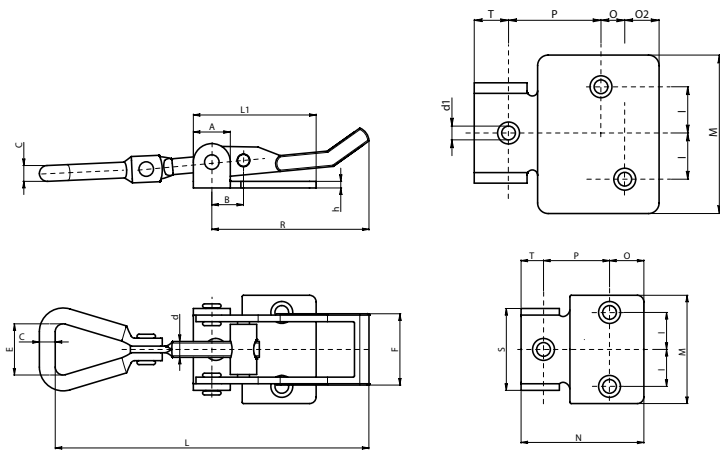
Combinable catch plates:

Article 478204001 combinable with catch plates: 478304001 & 478304002.

Article 478206001 combinable with catch plates: 478306001, 478306002 & 478306003.

Article 478211001 combinable with catch plates: 478306001, 478306002 & 478306003.

Code	R	L	L1/N	A	B	C	d	d1	E	F	h	I	M	O	O2	P	T	S
478204001	48	66-75	35	10	11	4.3	M5	5.5	18	17	2	7.5	28	9	-	12	14	20
478206001	65	104-124	46	14	12	6	M6	5.1	24	25	3	13	41	13.5	-	24.5	8	31
478211001	112	160-175	70	20	14	7	M8	7.5	34	30	2.5	17.5	60	9	13	35	13	37



Adjustable toggle latch made of shear stainless steel.

Surface: Natural.

The catch plate must be ordered separately.

Combinable catch plates:

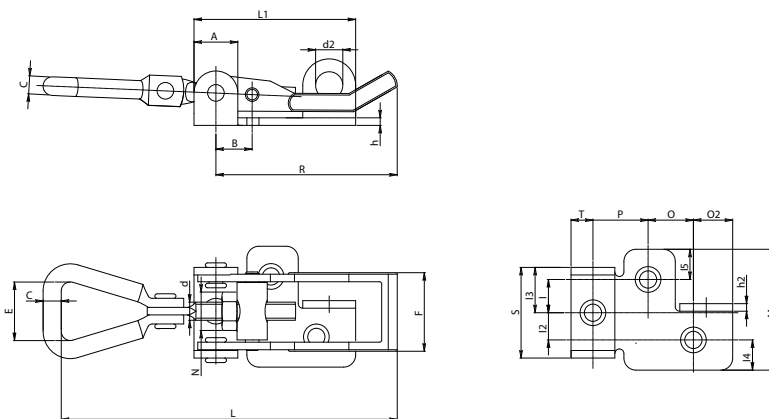
Article 478204101 combinable with catch plates: 478304101 & 478304102.

Article 478206101 combinable with catch plates: 478306101 & 478306103.

Article 478211101 combinable with catch plates: 478306101 & 478306103.

Code	R	L	L1/N	A	B	C	d	d1	E	F	h	I	M	O	O2	P	T	S
478204101	48	66-75	35	10	11	4.3	M5	5.5	18	17	2	7.5	28	9	-	12	14	20
478206101	65	104-124	46	14	12	6	M6	5.1	24	25	3	13	41	13.5	-	24.5	8	31
478211101	112	160-175	70	20	14	7	M8	7.5	34	30	2.5	17.5	60	9	13	35	13	37

4782P ADJUSTABLE STEEL TOGGLE LATCH WITH PADLOCK HASP



Adjustable toggle latch with padlock hasp made of galvanised shear steel.

Surface: Glossy.

The catch plate must be ordered separately.

Combinable catch plates:

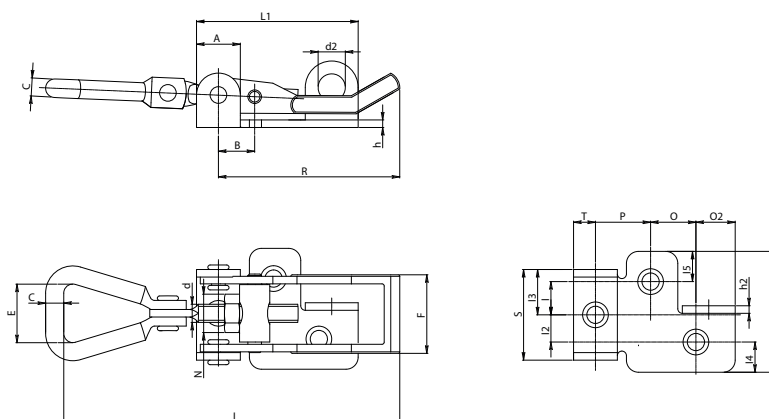
Article 478204002 combinable with catch plates: 478304001 & 478304002.

Article 478206002 combinable with catch plates: 478306001, 478306002 & 478306003.

Article 478211002 combinable with catch plates: 478306001, 478306002 & 478306003.

Code	R	L	L1	A	B	C	d	d1	d2	E	F	h	I	I2	I3	I4	I5	M	O	O2	P	T	S
478204002	48	66-75	41	10	11	4.3	M5	5.8	7	17	17	2	8	7	10	6.5	5.5	27	11	8.5	11	11.5	20
478206002	65	104-124	53	14	12	5.2	M6	6.2	9	23	26	3	11	9	15	10	10	40	15	13	17	8	30
478211002	112	160-175	70	20	14	6	M8	7.2	9	33	30	3	18	18	19	12.5	11.5	60	18	17.5	22	12.5	38

4782P INOX ADJUSTABLE STAINLESS STEEL TOGGLE LATCH WITH PADLOCK HASP



Adjustable toggle latch with padlock hasp made of shear stainless steel.(AISI 304).

Surface: Natural.

The catch plate must be ordered separately.

Combinable catch plates:

Article 478204102 combinable with catch plates: 478304101 & 478304102.

Article 478206102 combinable with catch plates: 478306101 & 478306103.

Article 478211102 combinable with catch plates: 478306101 & 478306103.

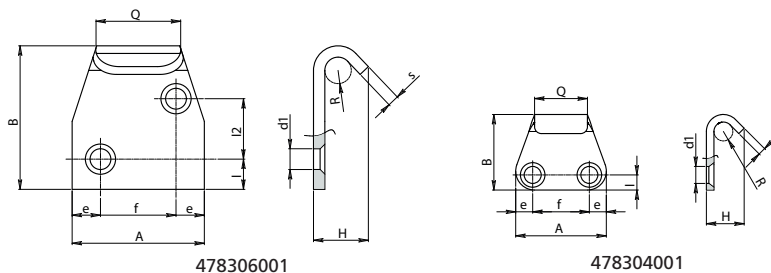
Code	R	L	L1	A	B	C	d	d1	d2	E	F	h	I	I2	I3	I4	I5	M	O	O2	P	T	S
478204102	48	66-75	41	10	11	4.3	M5	5.8	7	17	17	2	8	7	10	6.5	5.5	27	11	8.5	11	11.5	20
478206102	65	104-124	53	14	12	5.2	M6	6.2	9	23	26	3	11	9	15	10	10	40	15	13	17	8	30
478211102	112	160-175	70	20	14	6	M8	7.2	9	33	30	3	18	18	19	12.5	11.5	60	18	17.5	22	12.5	38

4783

STEEL CATCH PLATE FOR ADJUSTABLE TOGGLE LATCH



Code	H	I	I2	A	B	Q	e	f	R	d1	s
478304001	10	5	-	26	20	14	5.5	15	2.5	5.1	2
478306001	13.5	8.5	15.5	35	39	22	7.5	20	3.5	6.5	2



Drilled catch plate made of galvanised shear steel.
Surface: Glossy.

The toggle latch plate must be ordered separately.

Combinable toggle latches:

Article 478304001 combinable with toggle latches: 478204001 & 478204002.

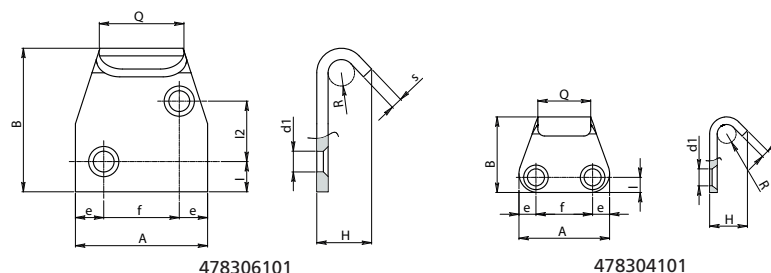
Article 478306001 combinable with toggle latches: 478206001, 478206002, 478211001 & 478211002.

**4783
INOX**

STAINLESS STEEL CATCH PLATE FOR ADJUSTABLE TOGGLE LATCH



Code	H	I	I2	A	B	Q	e	f	R	d1	s
478304101	10	5	-	26	20	14	5.5	15	2.5	5.1	2
478306101	13.5	8.5	15.5	35	39	22	7.5	20	3.5	6.5	2



Drilled catch plate made of stainless steel shear. (AISI 304).

Surface: Natural.

The toggle latch plate must be ordered separately.

Combinable toggle latches:

Article 478304101 combinable with toggle latches: 478204101 & 478204102.

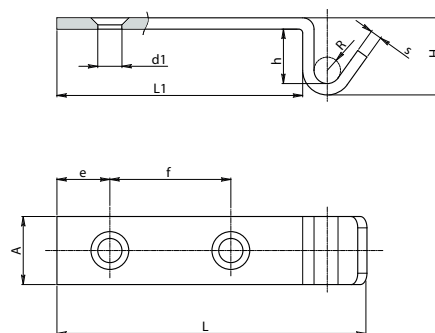
Article 478306101 combinable with toggle latches: 478206101, 478206102, 478211101 & 478211102.

4783B

STEEL DROP CATCH PLATE FOR ADJUSTABLE TOGGLE LATCH



Code	H	L	L1	h	A	e	f	R	d1	s
478304002	9	40	29	5	16	7	14	2.5	5.1	2
478306002	21	82	65	16	18	14	32	3.5	6.5	3



Drop drilled catch plate made of galvanised shear steel.

Surface: Glossy.

The toggle latch plate must be ordered separately.

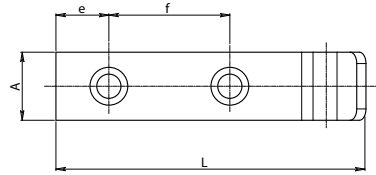
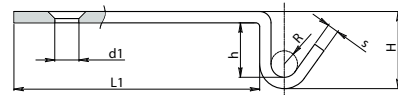
Combinable toggle latches:

Article 478304002 combinable with toggle latches: 478204001 & 478204002.

Article 478306002 combinable with toggle latches: 478206001, 478206002, 478211001 & 478211002.

**4783B
INOX****STAINLESS STEEL DROP CATCH PLATE FOR ADJUSTABLE
TOGGLE LATCH**

Code	H	L	L1	h	A	e	f	R	d1	s
478304102	9	40	29	5	16	7	14	2.5	5.1	2



Drop drilled catch plate made of stainless steel shear. (AISI 304).

Surface: Natural.

The toggle latch plate must be ordered separately.

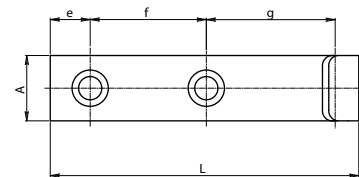
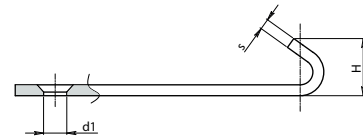
Combinable toggle latches:

Article 478304102 combinable with toggle latches: 478204101 - 478204102.

Article 478306102 combinable with toggle latches: 478206101 - 478206102 - 478211101 - 478211102.

4783X**STEEL EXTENDED CATCH PLATE FOR ADJUSTABLE
TOGGLE LATCH**

Code	H	l	A	e	f	g	d1	s
478306003	16.5	85	18	13.5	29	32.5	7	3



Extended catch plate made of galvanised shear steel.

Surface: Glossy.

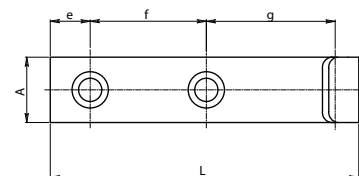
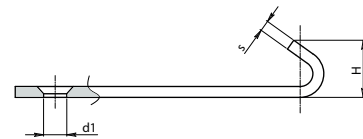
The toggle latch plate must be ordered separately.

Combinable toggle latches:

Article 478306003 combinable with toggle latches: 478206001 - 478206002 - 478211001 - 478211002.

**4783X
INOX****STAINLESS STEEL EXTENDED CATCH PLATE FOR
ADJUSTABLE TOGGLE LATCH**

Code	H	l	A	e	f	g	d1	s
478306103	16.5	85	18	13.5	29	32.5	7	3



Extended catch plate made of stainless steel shear. (AISI 304).

Surface: Natural.

The toggle latch plate must be ordered separately.

Combinable toggle latches:

Article 478306103 combinable with toggle latches: 478206101 - 478206102 - 478211101 - 478211102.